

318/308

Non-return foot valve

B System

Technical Data Sheet



Description

The non-return foot valve 318/308 consists of a self-cleaning ball lifted by the fluid and guided to a lateral seat, completely out of the way. This system provides a full-flow, even with loaded fluids, without any risk of blockage.

- Vertical position
- Minimum head loss
- Silent, robust
- Non incrustating materials
- Sealing guaranteed by the coating of the ball



318/308

Non-return foot valve - B System

DN	PN	PFA in bar	PS in bar				Cat.	Ref.	Weight Kg	
			L1	L2	G1	G2				
2	50	10/16	10	10	10	x	x	4.3	149B3150	8,0
2 1/2	65	10/16	10	10	10	x	x	4.3	149B3151	12,5
3	80	10/16	10	10	10	x	x	4.3	149B3152	17,0
4	100	10/16	10	10	10	x	x	4.3	149B3153	22,5
5	125	10/16	10	10	10	x	x	4.3	149B3154	35,0
6	150	10	10	10	10	x	x	4.3	149B3155	48,0
8	200	10	10	10	10	x	x	4.3	149B3156	85,0
10	250*	10	10	10	10	x	x	I	149F019180	157,9
12	300*	10	10	10	10	x	x	I	149F018860	261,4
14	350*	10	10	10	10	x	x	I	149B3029	421,3

*Type 308

Important notice :

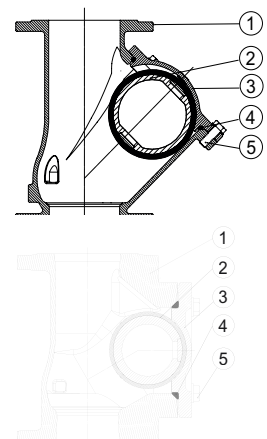
The indicated pressure for the different categories of fluids (L1/L2/G1/G2) is under no condition a guarantee of use. Therefore, it is essential to validate the use of products under given operating conditions. The operating instructions are available on our website www.socla.com or by requesting from our sales department.

Technical features

Operating temperature	-10 °C to 80 °C
Permissible operating pressure (PFA) in water	See table above
Maximum permissible pressure (PS) other mediums	See table above
Connection	Flanges drilled PN (see table)
Mediums	Thick liquids, viscous liquids, loaded liquids

Nomenclature and materials

N°	Description	Materials	EURO	ANSI
1	Body	Cast iron Epoxy	EN-GJS-400.15	ASTM A 536 60-40-18
2	Ball	DN 50 to 100	Aluminium / NBR	
		DN 125 to 350	Cast iron / NBR	
3	Cover	Cast iron / Epoxy	EN-GJS-400.15	ASTM A 536 60-40-18
4	Seal	NBR		
5	Screw-washer except Nut (Fig 408)	Stainless steel	X5Cr-Ni18-10	AISI 304
		Galvanised steel		
6	Screw	Stainless steel	X5Cr-Ni18-10	AISI 304
7	Nut	Stainless steel	X5Cr-NiMo17-12-2	AISI 316
8	Flange	Cast iron / Epoxy		
9	Screw	Stainless steel	X5Cr-Ni18-10	AISI 304
10	Strainer	Galvanised steel		



Approvals



International construction Standards :

Directive 2014/68/UE

Flange drilling according to EN1092-2

Application

Viscous, loaded or thick liquids.

Installation

Installation :

Before putting valve into operation, check that:

- the working conditions are compatible with the details given on the identification plate, the instruction notice and the manufacturer's detail,
- the valve works effectively when tried (carry out a few opening and closing operations of the closing system),
- the valve is free-pollution inside.

On a new installation or after maintenance, the circuit must be rinsed with the valve completely open in order to remove solid matter which may damage the internal parts of the valve.

Commissioning :

The installation should be put under pressure progressively to avoid damage which might occur to internal components.

Make sure that when flow stops the valve maintains pressure well and that there is no water-hammer which might damage the valve or installation.

If there is water-hammer, an anti-water hammer system must be added to the installation.

During a prolonged stoppage, a change in the state of the fluid may result in damage when the installation is brought back into service (solidification...).

Establish an adequate procedure program for cleaning the system.

Maintenance

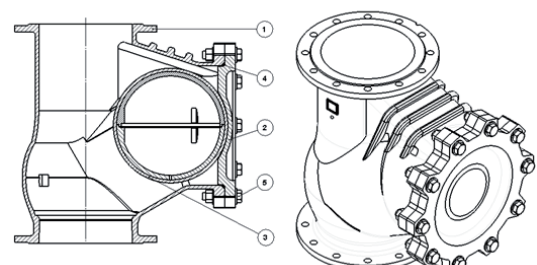
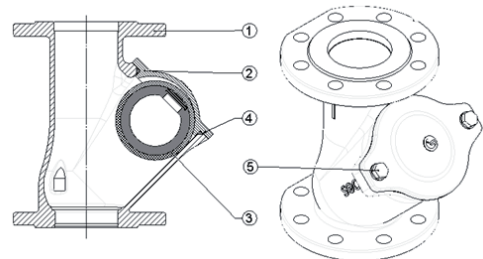
• Removing :

1. Unscrew the support screw assembly (N°5)
2. Remove the cover (N°2)
3. Remove the O-ring (N°4)
4. Tip over the body (N°1) for remove the ball (N°3)

• Reassembly :

Before reassembling the valve, check the condition of the seal. If necessary, clean and grease it by using appropriate grease.

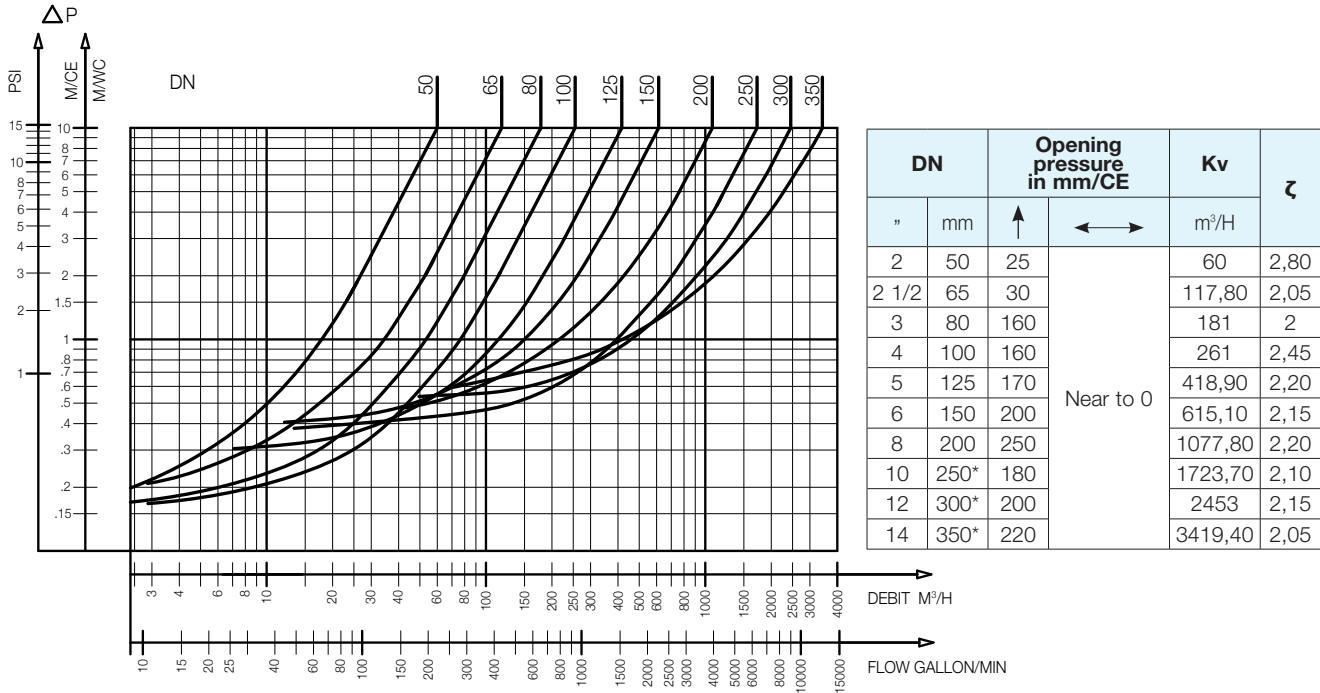
1. Place the ball (N°3) in the body (N°1)
2. Put in place the O-ring (N°4) on the cover (N°2)
3. Put in place the cover (N°2) on the body (N°1)
4. Tighten the screw assembly (N°5) to the contact and then :
 - a. Tighten to the couple of 35 Nm for the FIG.418 up to DN100 included
 - b. Tighten with a suitable tool for the others references



Operation

Direction for use :

- Solid line: Valve completely open

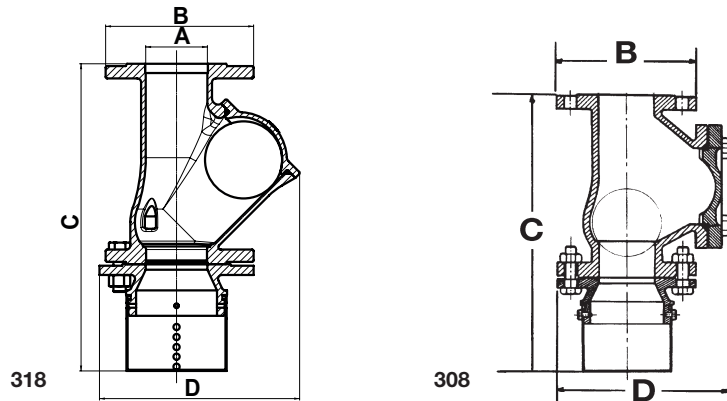


318/308 - Headloss chart

Sizing

DN		B	C	D
"	mm	mm	mm	mm
2	50	165	280	173
2 1/2	65	185	324	214
3	80	200	396	252
4	100	220	467	289
5	125	250	401	368
6	150	285	649	424
8	200	340	826	509
10	250*	400	966	582
12	300*	455	1112	721
14	350*	505	1317	820

*Type 308



The descriptions and photographs contained in this product specification sheet are supplied by way of information only and are not binding.

Socla reserves the right to carry out any technical and design improvements to its products without prior notice. Warranty : All sales and contracts for sale are expressly conditioned on the buyer's assent to Socla terms and conditions found on its website at www.socla.com. Socla hereby objects to any term, different from or additional to Socla terms, contained in any buyer communication in any form, unless agreed to in a writing signed by an officer of Socla.



A WATTS Brand

Socla sas

365 rue du Lieutenant Putier • 71530 Virey-Le-Grand • France

Tel. +33 03 85 97 42 00 • Fax +33 03 85 97 42 42

contact@wattswater.com • www.socla.com

ISO 9001 version 2015 / ISO 18001