

# 327

Membrane foot valve

M system

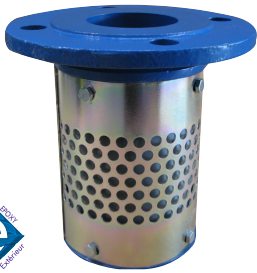
## Technical Data Sheet



## Description

On membrane foot valves, the opening set by the elasticity and the thickness of the membrane is very progressive and can be obtained as a result of a few centimeters of W/C. Because of this, this foot valve is particularly suitable for variable flow pumps and pulsatory operation.

- Operates in any position
- Low head loss
- Does not generate hammering
- Closing system: EPDM tubular membrane deforming towards the suction strainer
- Sealing ensured by the flexible membrane against the cylindrical seat of the body



### 327

Membrane foot valve - M system

DN	PN	PFA in bar	PS in bar				Cat.	Ref.	Weight Kg	
			L1	L2	G1	G2				
"	mm									
2	50	10/16	6	6	6	x	x	4.3	<b>149B2555</b>	3,15
2 1/2	65	10/16	6	6	6	x	x	4.3	<b>149B2556</b>	4,96
3	80	10/16	6	6	6	x	x	4.3	<b>149B2558</b>	6,22
4	100	10/16	6	6	6	x	x	4.3	<b>149B2560</b>	7,58
5	125	10/16	6	6	6	x	x	4.3	<b>149B2561</b>	10,37
6	150	10/16	6	6	6	x	x	4.3	<b>149B2562</b>	16,02
8	200	10	6	6	6	x	x	4.3	<b>149B2564</b>	31,60
10	250	10	6	6	6	x	x	4.3	<b>149B2565</b>	44,10
12	300	10	6	6	6	x	x	4.3	<b>149B2566</b>	63,60

#### Models with drainage kit

8	200	10	6	6	6	x	x	4.3	<b>149B2564D</b>
10	250	10	6	6	6	x	x	4.3	<b>149B2565D</b>

For DN65 to 150 : see draining system

#### Important notice :

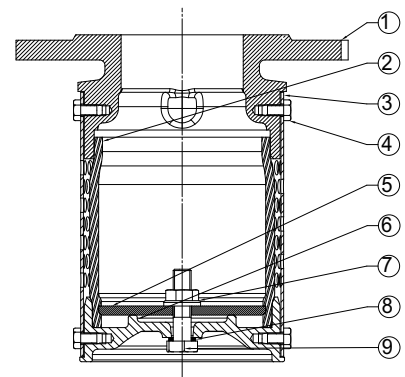
The indicated pressure for the different categories of fluids (L1/L2/G1/G2) is under no condition a guarantee of use. Therefore, it is essential to validate the use of products under given operating conditions. The operating instructions are available on our website [www.socla.com](http://www.socla.com) or by requesting from our sales department.

#### Technical features

Operating temperature	-10 °C to 60 °C
Permissible operating pressure (PFA) in water	See table above
Permissible pressure (PS) other mediums	See table above
Connection	Flanges drilled DN (see table)
Mediums	Clear liquids, dirty and sandy liquids

#### Nomenclature and materials

N°	Description	Materials	EURO	ANSI
1	Body	Cast iron / Epoxy	EN 1561 EN-GJL-250	ASTM A 48 35 B
2	Sleeve	EPDM		
3	Suction strainer	Galvanised steel		
4	Screw and bolt	Galvanised steel		
5	Washer	Galvanised steel		
6	Base	Cast iron / Epoxy	EN 1561 EN-GJL-250	ASTM A 48 35 B
7	Nut	Galvanised steel		
8	Seal	Copper		
9	Screw	Galvanised steel		



# Approvals

## ACS

**International construction Standards :**  
 Directive 2014/68/UE  
 Flange drilling according to EN 1092-2

# Application

Limited operating pressure, irrigation.

# Operation

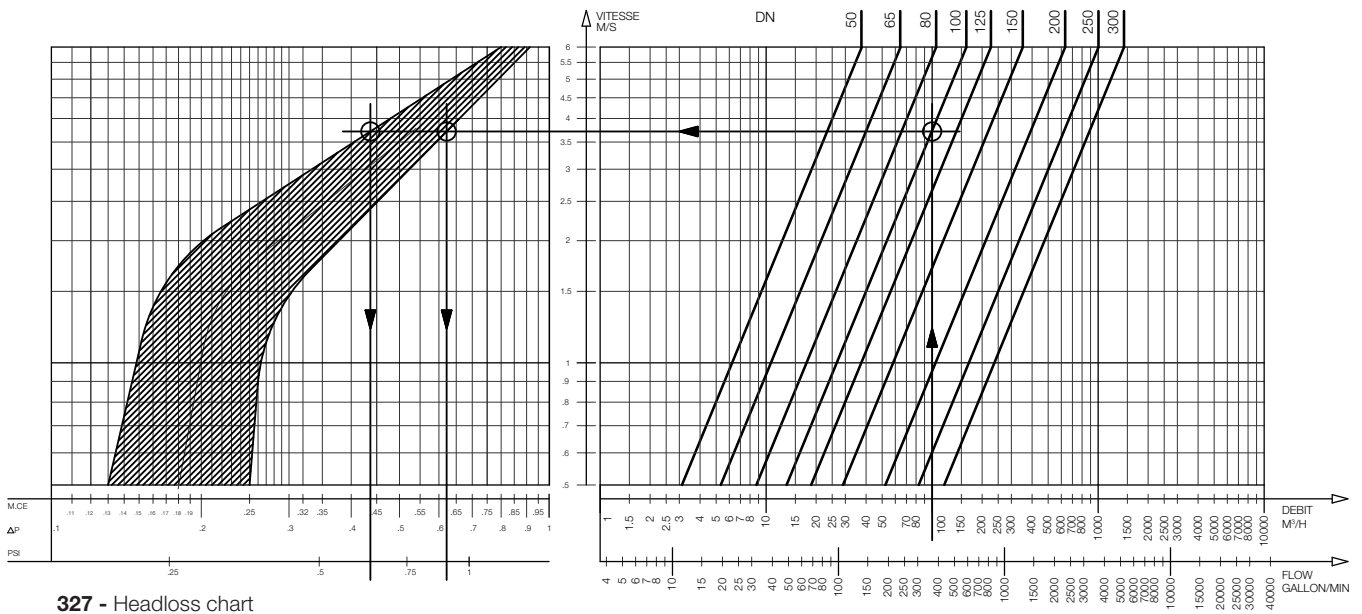
DN		Opening pressure in mm/CE	Kv	ζ
"	mm		m³/H	
2	50	Near to 0	113,00	0,77
2 1/2	65		191,00	0,77
3	80		221,00	0,77
4	100		289,00	0,77
5	125		366,00	0,77
6	150		451,00	0,77
8	200		705,00	0,77
10	250		1015,00	0,77
12	300		1205,00	0,77

**Direction for use :**

- Solid line : Valve completely open
- Dotted line : opening stage of valve

**Calculation example :**

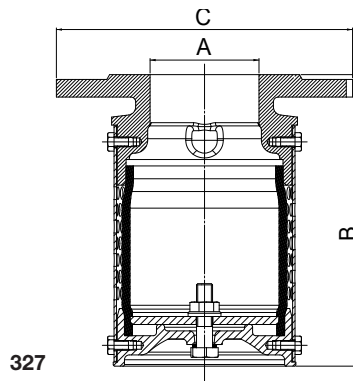
Check valve DN100 : flow 100 m³/H  
 Head loss between 0,44 and 0,62 m.CE



327 - Headloss chart

## Sizing

DN		B	C
"	mm	mm	mm
2	50	151	165
2 1/2	65	182	185
3	80	205	200
4	100	228	220
5	125	258	250
6	150	303	285
8	200	385	340
10	250	441	395
12	300	506	445



The descriptions and photographs contained in this product specification sheet are supplied by way of information only and are not binding.

Socla reserves the right to carry out any technical and design improvements to its products without prior notice. Warranty : All sales and contracts for sale are expressly conditioned on the buyer's assent to Socla terms and conditions found on its website at [www.socla.com](http://www.socla.com). Socla hereby objects to any term, different from or additional to Socla terms, contained in any buyer communication in any form, unless agreed to in a writing signed by an officer of Socla.



**A WATTS Brand**

**Socla sas**

365 rue du Lieutenant Putier • 71530 Virey-Le-Grand • France

Tel. +33 03 85 97 42 00 • Fax +33 03 85 97 42 42

[contact@wattswater.com](mailto:contact@wattswater.com) • [www.socla.com](http://www.socla.com)

ISO 9001 version 2015 / ISO 18001