

417

Membrane non-return valve
M System

Technical Data Sheet



Description

This valve is designed for installations that generate significant water hammer. It is very reliable and quiet (no mechanical moving parts, anti-incrustation closing system and seat). Ideal for booster pumps, sprinkler systems, motor or electric pump units and compressed air circuits. Alternating operation. On membrane check valves, the opening set by the elasticity and the thickness of the membrane is very progressive and can be obtained as a result of a few centimeters of W/C. Because of this, this check valve is particularly suitable for variable flow pumps and pulsatory operation

- Operates in any position
- Low head loss
- Very silent
- Does not generate hammering
- Closing system : flexible membrane (thick elastomer disc) held in its center on a metal seat composed of a grid (flow equivalent to the nominal section)
- Sealing ensured by membrane's self-closing.



417

Membrane non-return valve - M system

DN	PN	PFA in bar	PS in bar				Cat.	Ref.	Weight Kg	
			L1	L2	G1	G2				
1 1/2	40	25/40	25	25	25	25	I	149B2054	7,2	
2	50	25/40	25	25	20	25	I	149B2055	9,1	
2 1/2	65	25/40	25	25	15	25	I	149B2056	10,8	
3	80	25/40	25	25	12	25	I	149B2058	16,0	
4	100	25/40	25	20	10	25	I	149B2060	25,0	
5	125	25/40	25	16	25	0,5	25	I	149B2061	30,0
6	150	25/40	25	13	25	0,5	23	I	149B2062	44,0

Important notice :

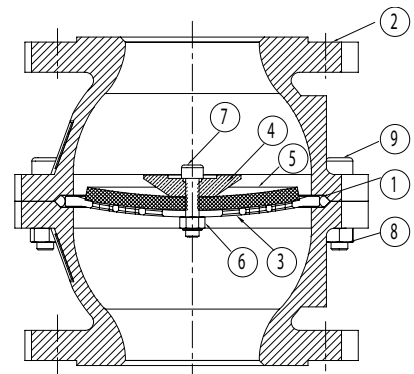
The indicated pressure for the different categories of fluids (L1/L2/G1/G2) is under no condition a guarantee of use. Therefore, it is essential to validate the use of products under given operating conditions. The operating instructions are available on our website www.socla.com or by requesting from our sales department.

Technical features

Operating temperature	-10 °C to 60 °C
Permissible operating pressure (PFA) in water	See table above
Maximum permissible pressure (PS) other mediums	See table above
Connection	Flanges drilled PN (see table)
Mediums	Clear liquids, gas

Nomenclature and materials

N°	Description	Materials	EURO	ANSI
1	O-ring	EPDM		
2	Body	Cast iron / Epoxy	EN-GJL-250	ASTM A 48 35 B
3	Seat	DN 40 to 80	Stainless steel	
		DN 100 to 200	Polyamid coated steel	
4	Cup	DN 40 to 65	Stainless steel	X6Cr17
		DN 80 to 200	Brass	CuZn39Pb3
5	Membrane	EPDM		
6	Nut	Stainless steel	X5Cr-Ni18-10	AISI 304
7	Screw	Stainless steel	X5Cr-Ni18-10	AISI 304
8	Nut	Galvanised steel		
9	Screw	Stainless steel	X5Cr-Ni18-10	AISI 304



Approvals



International construction Standards :
Directive 2014/68/UE
Flange drilling according to EN 1092-2

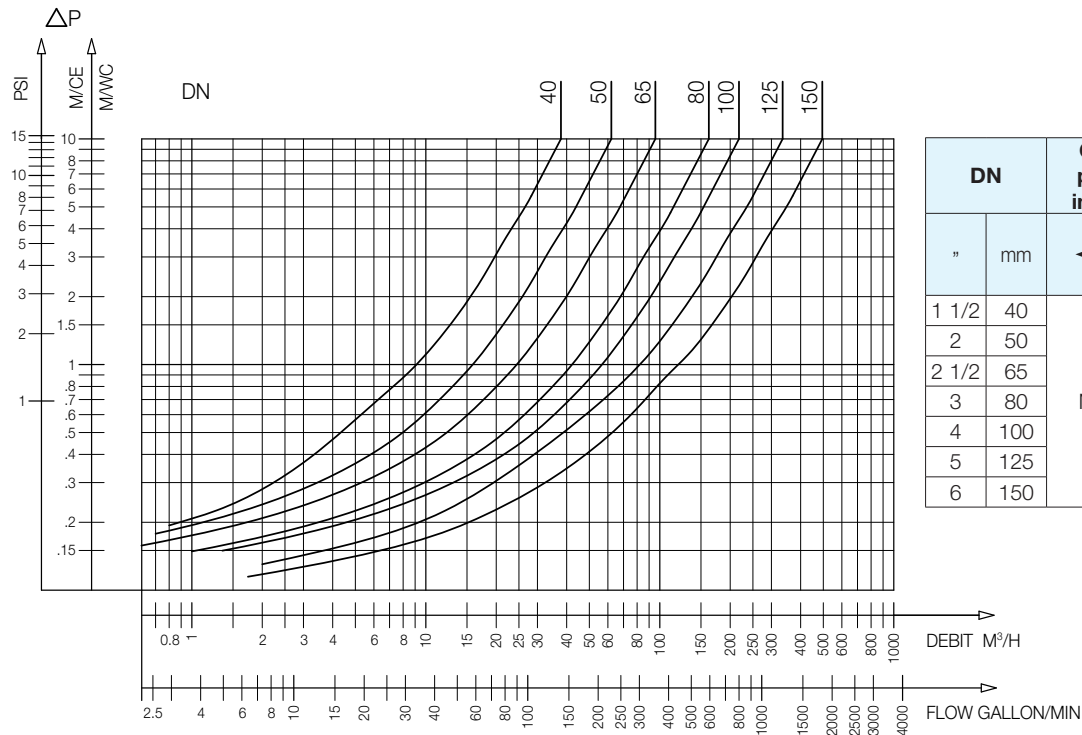
Application

Booster pumps, compressed air circuits, vacuum pumps.

Operation

Direction for use :

- Solid line: Valve completely open

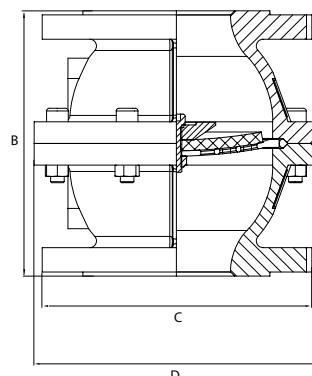


DN		Opening pressure in mm/CE 	Kv	ζ
"	mm		m³/H	
1 1/2	40	Near to 0	37,8	2,86
2	50		61,15	2,67
2 1/2	65		95,3	3,14
3	80		162	2,49
4	100		218,7	3,34
5	125		335,3	3,47
6	150	495	3,3	

417 - Headloss chart

Sizing

DN		B	C	D
"	mm	mm	mm	mm
1 1/2	40	148	150	140
2	50	158	165	160
2 1/2	65	176	185	170
3	80	196	200	212
4	100	331	235	245
5	125	329	270	274
6	150	395	300	341



417

The descriptions and photographs contained in this product specification sheet are supplied by way of information only and are not binding.

Socla reserves the right to carry out any technical and design improvements to its products without prior notice. Warranty : All sales and contracts for sale are expressly conditioned on the buyer's assent to Socla terms and conditions found on its website at www.socla.com. Socla hereby objects to any term, different from or additional to Socla terms, contained in any buyer communication in any form, unless agreed to in a writing signed by an officer of Socla.



A WATTS Brand

Socla sas

365 rue du Lieutenant Putier • 71530 Virey-Le-Grand • France

Tel. +33 03 85 97 42 00 • Fax +33 03 85 97 42 42

contact@wattswater.com • www.socla.com

ISO 9001 version 2015 / ISO 18001