

# EB 931

EB antipollution non-return valves

System 01

## Technical Data Sheet



## Description

The non-return valve EB 931 is certified to the NF antipollution norms. This non-return valve is designed for the protection of drinking water network against polluted backflow which has no recognized toxic or microbiological risks to human health. It is particularly suitable for mounting after watermeter.

- Operates in any position
- Minimum head loss
- Silent and robust
- 1 downstream boss drilled 1/4" with plug (DN 1/2 : without boss) (except DN 3/8")
- Does not generate hammering
- Closing system : double axial guiding with return spring
- Excellent sealing at high as well as at low pressure ensured by a specially designed lip ring-seal



### EB 931

EB antipollution non-return valves - System 01

| DN |     | PFA<br>in bar | PS in bar |    |    |    | Cat. | Ref.             | Weight<br>Kg |
|----|-----|---------------|-----------|----|----|----|------|------------------|--------------|
| C  | "   |               | L1        | L2 | G1 | G2 |      |                  |              |
| 15 | 1/2 | 10            | 10        | 10 | 10 | 10 | 4.3  | <b>149B1022J</b> | 0,011        |
| 20 | 3/4 | 10            | 10        | 10 | 10 | 10 | 4.3  | <b>149B1024</b>  | 0,016        |
| 25 | 1   | 10            | 10        | 10 | 10 | 10 | 4.3  | <b>149B1023</b>  | 0,018        |

**Important notice :**

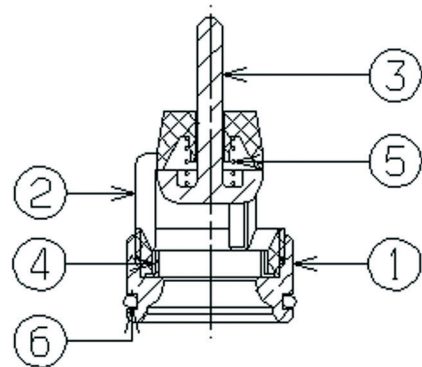
The indicated pressure for the different categories of fluids (L1/L2/G1/G2) is under no condition a guarantee of use. Therefore, it is essential to validate the use of products under given operating conditions.

#### Technical features

|   |  |
|---|--|
| Operating temperature                           | Continuous : -10°C at 65°C / Maxi. : 90°C for 1h/day |
| Permissible operating pressure (PFA) in water   | See table above                                      |
| Maximum permissible pressure (PS) other mediums | See table above                                      |
| Connection                                      | To be inserted                                       |
| Mediums   | Clear liquids, gas                                   |

#### Nomenclature and materials

| N° | Description    | Materials       | EURO                   | ANSI               |                          |
|----|----------------|-----------------|------------------------|--------------------|--------------------------|
| 1  | Body           | DN 15           | Brass                  | EN12164 CuZn39Pb3  | R360 mini                |
|    |                | DN 20 and 25    | Brass                  | EN12164 CW617N     | R360 mini 4MS            |
| 2  | Guide          | PPA             | Grivory MT1V-4 FWA     | Black 922          |                          |
| 3  | Closing system | DN 15           | PPA                    | Grivory MT1V-4 FWA | Black 922                |
|    |                | DN 20 and 25    | Teflon brass           | EN12164 CuZn40Pb2  | R360 mini + PTFE coating |
| 4  | Seal           | EPDM            |                        |                    |                          |
| 5  | Spring         | Stainless steel | EN 10270-3 X10CrNi18-8 | AISI 302           |                          |
| 6  | Seal           | EPDM            |                        |                    |                          |



## Approvals

**ACS** **NF** Except DN 3/4

**International construction Standards :**  
NF Antipollution according to NF EN 13959 - EN1717

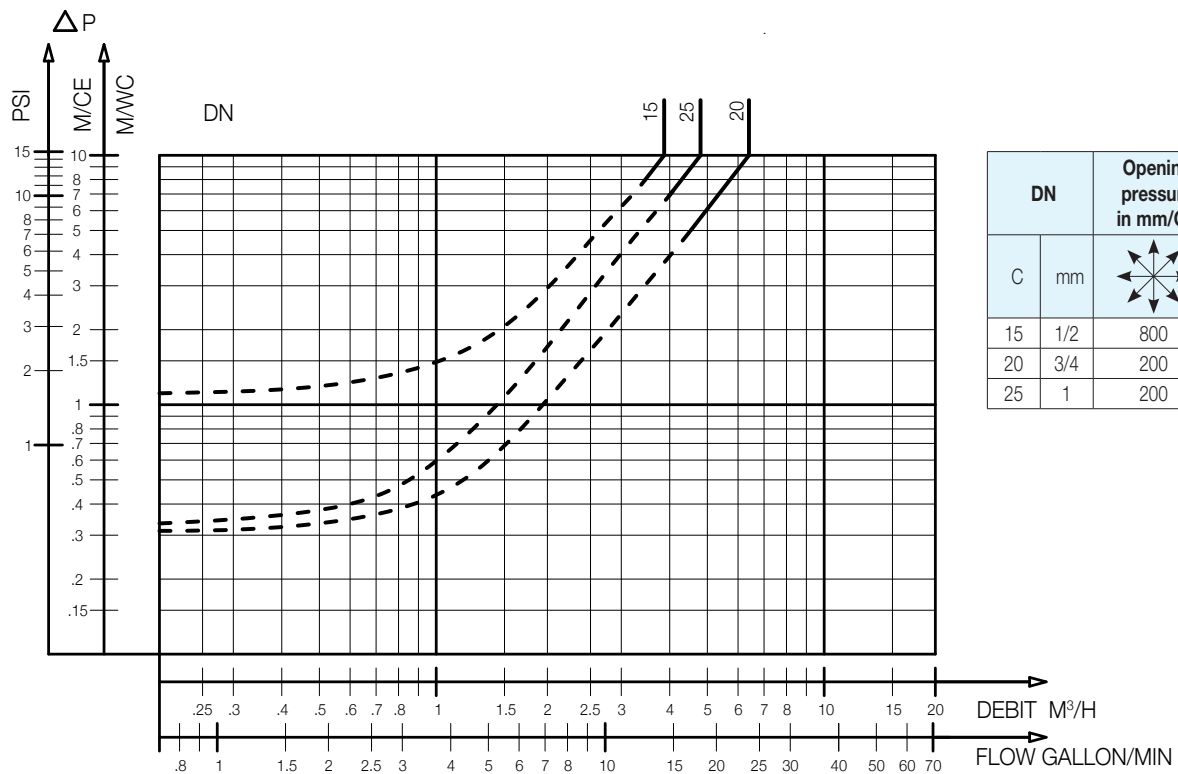
## Application

Incorporation into pre-assembled equipment, protection of watermeters.

## Operation

**Direction for use :**

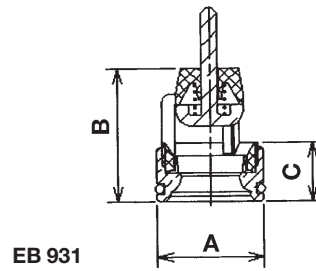
- Solid line: Valve completely open
- Dotted line: opening stage of valve



**EB 931** - Headloss chart

## Sizing

| DN  | Boring | A    | B  | C  |
|-----|--------|------|----|----|
| "   | mm     | mm   | mm | mm |
| 1/2 | 18,5   | 18,5 | 17 | 6  |
| 3/4 | 20,0   | 20,0 | 26 | 11 |
| 1   | 24,0   | 24,0 | 22 | 7  |



The descriptions and photographs contained in this product specification sheet are supplied by way of information only and are not binding.

Socla reserves the right to carry out any technical and design improvements to its products without prior notice. Warranty : All sales and contracts for sale are expressly conditioned on the buyer's assent to Socla terms and conditions found on its website at [www.socla.com](http://www.socla.com). Socla hereby objects to any term, different from or additional to Socla terms, contained in any buyer communication in any form, unless agreed to in a writing signed by an officer of Socla.

# Socla

A WATTS Brand

Socla sas

365 rue du Lieutenant Putier • 71530 Virey-Le-Grand • France

Tel. +33 03 85 97 42 00 • Fax +33 03 85 97 42 42

[contact@wattswater.com](mailto:contact@wattswater.com) • [www.socla.com](http://www.socla.com)

ISO 9001 version 2015 / ISO 18001