

# RP 204

Pressure reducing valves  
at membrane with stainless steel seat

## Technical Data Sheet



## Description

The Pressure reducing valves at membrane with stainless steel seat RP 204 is designed to reduce pressures of maxi 40 bar.

- Downstream setting : 1 bar to 7 bar
- Pre-set at 3 bar
- With connection on side to allow pressure gauge connection



### RP 204

Pressure reducing valves at membrane with stainless steel seat

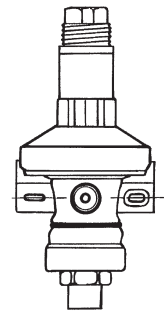
DN in mm	PFA in bar	Ref.	Weight Kg
15	40	<b>149B6670</b>	1,15
20	40	<b>149B6671</b>	1,91
25	40	<b>149B6672</b>	2,83
32	40	<b>149B6664</b>	4,80
40	40	<b>149B6665</b>	8,22
50	40	<b>149B6666</b>	10,82
65	40	<b>149B6667</b>	13,00
80	40	<b>149B6668</b>	17,00
100	40	<b>149B6673</b>	37,00

#### Technical features

Operating temperature	Mini. : 0 °C / Maxi : 80 °C
Permissible operating pressure (PFA) in water	See table above
Connection	Female/female, BSP thread
Gauge connection	1/4"
Mediums	Water

#### Nomenclature and materials

N°	Designation	Materials	EURO
Body	DN 1/2" to 2"	Brass	CuZn40Pb2
	DN 2"1/2 to 4"	Bronze	CuSn5Zn5Pb5-C
Membrane		EPDM 70sh with nylon braid	
Seal seat		EPDM	
Seat and Spring		Stainless steel	



## Approvals

### ACS

**International construction Standards :**  
Thread connection NFE 03-005 ISO 228

## Application

Water distribution.

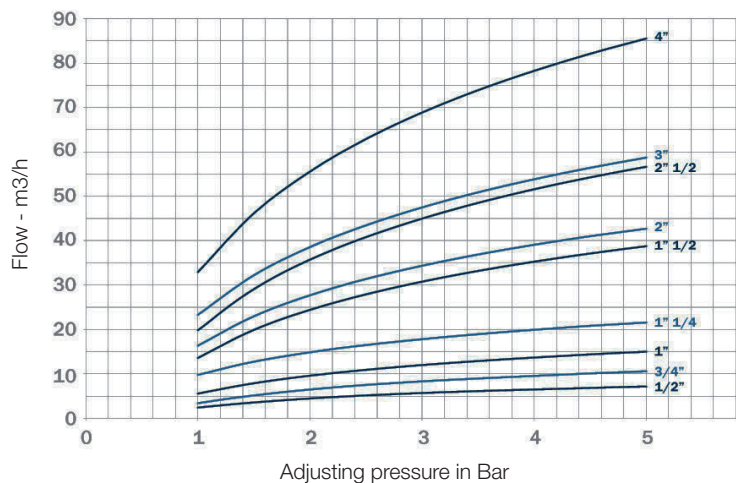
## Installation

In domestic water supply, the reducing valves RP 204 are fitted just after the water meter and thus protect the whole installation. If there is a frost risk, they should be drained.

They can be fitted in any position (horizontal, upside down, fluid ascending or reversed and inclined) but the direction of flow indicated by the engraved arrow on the valve body, must be respected.

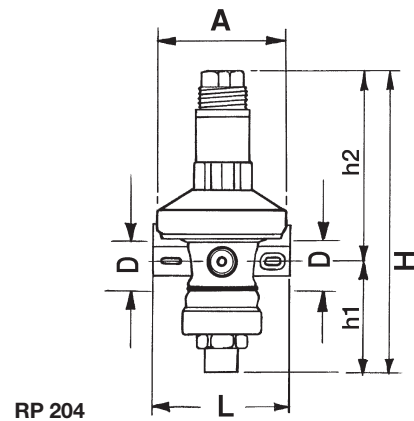
## Operation

RP 204 - Headloss chart



## Sizing

DN	D		L	A	H	h1	h2
	mm	"					
15	15/21	1/2	76	73	155,5	67,5	88
20	20/27	3/4	91	89	196	73	123
25	26/34	1	105	101	201	81	120
32	33/42	1 1/4	138	124	235	82,5	152,5
40	40/49	1 1/2	170	154	256	95	161
50	50/60	2	184	169	270	92,5	177,5
65	66/76	2 1/2	206,5	180	330	121,5	208,5
80	80/90	3	204	192	374	143	231
100	102/114	4	274	262	495,5	175	320,5



The descriptions and photographs contained in this product specification sheet are supplied by way of information only and are not binding.

Socla reserves the right to carry out any technical and design improvements to its products without prior notice. Warranty : All sales and contracts for sale are expressly conditioned on the buyer's assent to Socla terms and conditions found on its website at [www.socla.com](http://www.socla.com). Socla hereby objects to any term, different from or additional to Socla terms, contained in any buyer communication in any form, unless agreed to in a writing signed by an officer of Socla.



**A WATTS Brand**

**Socla sas**

365 rue du Lieutenant Putier • 71530 Virey-Le-Grand • France

Tel. +33 03 85 97 42 00 • Fax +33 03 85 97 42 42

[contact@wattswater.com](mailto:contact@wattswater.com) • [www.socla.com](http://www.socla.com)

ISO 9001 version 2015 / ISO 18001