

# WM

Antipollution insert checkvalve - EB type  
System 01

## Technical Data Sheet



## Description

WM checkvalves are compliant with the regulation of NF Antipollution brand.

According to the NF EN 1717, these EB type checkvalves, are incorporated in a device, and guarantee the protection of drinking water against a risk of pollution from a fluid of category 2.

- Minimum head loss
- Noiseless operation due to a split obturator
- Does not generate hammering
- Meets the requirements of all europeans approvals
- Axial guidance obturator with return spring
- Absolute sealing at high or low back pressure ensured by an especially designed lip-seal



## WM

Antipollution insert checkvalve - EB type - System 01

DN	C	PFA in bar	PS in bar				Cat.	Ref.	Weight Kg
			L1	L2	G1	G2			
15	1/2	10	10	10	10	10	4.3	<b>149B043318</b>	0,004
20	3/4	10	10	10	10	10	4.3	<b>149F043509</b>	0,007
25	1	10	10	10	10	10	4.3	<b>149F043510</b>	0,017
40	1 1/2	10	10	10	0,5	10	4.3	<b>149F043511</b>	0,035

### Important notice :

The temperature and pressure indications given for the various categories of fluids (L1/L2/G1/G2) are under no circumstances a guarantee that they are suitable for your system. Therefore, it is essential to validate the use of the products under given operating conditions with our technical department.

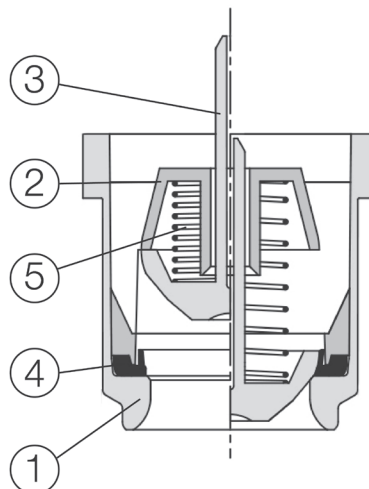
In addition, the operating instructions are available on our website [www.socla.com](http://www.socla.com) or by simply asking our sales department.

### Technical features

Operation temperatures	Continuous -10°C up to 65°C / Maxi. : 85°C (in case of an accidental peak during 1h)
Permissible operating pressure (PFA) in water	See table above
Maximum permissible pressure (PS) other mediums	See table above
Connection	Incorporation in a device
Mediums	Clear liquids, drinking water, neutral gaz

### Nomenclature and materials

N°	Description	Materials
1	Body	POM (Polyacetal)
2	Guide	POM (polyacetal)
3	Obturator	POM (polyacetal)
4	Seal	EPDM
5	Spring	Stainless steel



## Approvals

ACS



kiwa



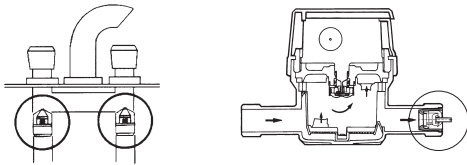
UK Reg4  
certified



### International Construction Standards :

Specific NF brand regulation (technical doc. n°6 : antipollution checkvalve)  
NF EN 13959

## Application



Water meter : main application.

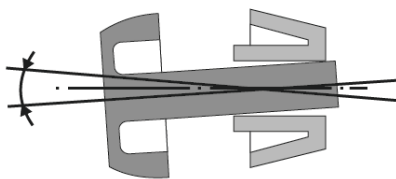
Can also be fitted in any application which need a drinking water network protection; suitable with the design of the product.  
Ex : sanitary taps...

## Fonctionnement

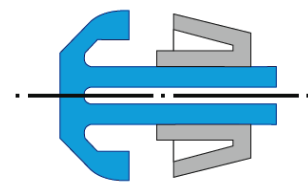
Some vibrations can occur at low flow rates. These vibrations are generated by possible lateral movements of the valve. Until now it was impossible to avoid this effect without affected hydraulic characteristics.

Thanks to the unique guide system by slotted stem that eliminates the possibility of movements and optimal hydraulic profile, vibration are eliminated.

By providing this guidance without the possibility of movements avoids calcareous deposits and vibration, ensuring a flowless and quiet operation for years.



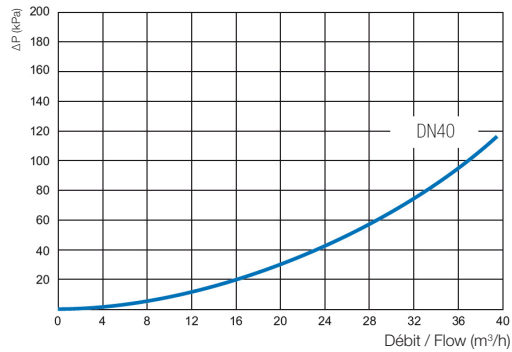
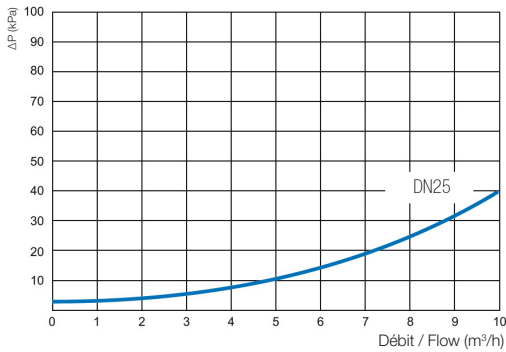
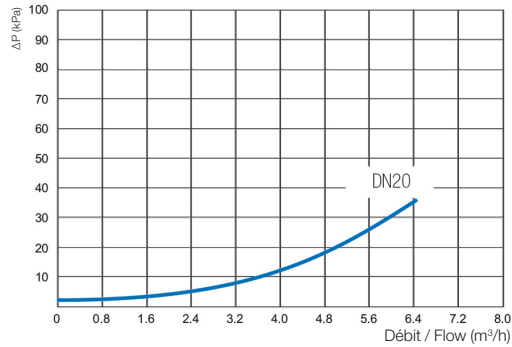
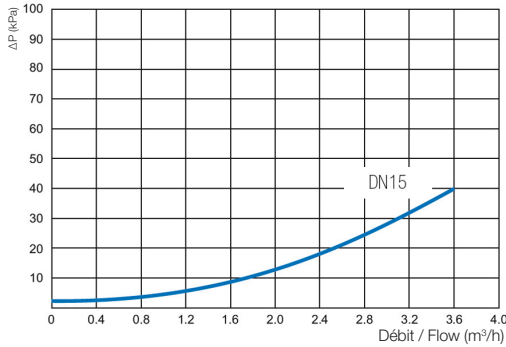
**Classic obturator guidance**



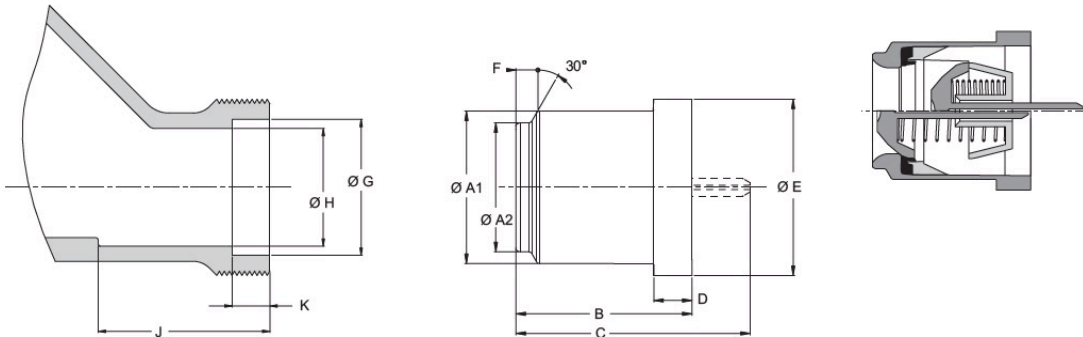
**WATTS obturator guidance**

# Operation

WM - Headloss chart



# Sizing



Ref.	DN	ØA1	ØA2	B	C	D	ØE	F	ØG	ØH	J	K
	mm	mm	mm	mm	mm	mm	mm	mm	mm	mm	mm	mm
149B043318	15	18,30 <sub>-0,10</sub> <sup>0</sup>	15,30 <sub>±0,10</sub>	19,00 ±0,10	24,45 ±0,50	2,95 ±0,05	19,90 <sub>-0,10</sub> <sup>0</sup>	3,20 <sub>0</sub> <sup>+0,10</sup>	20,40 ±0,10	18,80 ±0,10	21,00 <sub>0</sub> <sup>+0,50</sup>	2,95 ±0,10
149F043509	20	22,10 <sub>-0,10</sub> <sup>0</sup>	18,00 <sub>0</sub> <sup>+0,10</sup>	25,50 ±0,10	33,60 ±0,50	7,00 ±0,05	25,00 <sub>-0,15</sub> <sup>0</sup>	4,00 <sub>0</sub> <sup>+0,1</sup>	25,40 ±0,10	22,50 ±0,10	26,00 <sub>0</sub> <sup>+0,50</sup>	7,00 ±0,10
149F043510	25	28,50 <sub>-0,10</sub> <sup>0</sup>	24,00 <sub>0</sub> <sup>+0,10</sup>	38,50 ±0,10	38,50 ±0,50	8,00 ±0,05	32,00 <sub>-0,20</sub> <sup>0</sup>	4,50 <sub>0</sub> <sup>+0,10</sup>	32,50 ±0,10	30,00 ±0,10	42,00 <sub>0</sub> <sup>+0,50</sup>	8,00 ±0,10
149F043511	40	40,30 <sub>-0,20</sub> <sup>0</sup>	33,65 <sub>±0,10</sub>	46,10 ±0,10	61,10 ±0,50	10,00 ±0,10	46,00 <sub>-0,20</sub> <sup>0</sup>	4,20 <sub>0</sub> <sup>+0,10</sup>	46,50 ±0,10	40,50 ±0,10	49,00 <sub>0</sub> <sup>+0,50</sup>	10,00 ±0,10

The descriptions and photographs contained in this product specification sheet are supplied by way of information only and are not binding.

Socla reserves the right to carry out any technical and design improvements to its products without prior notice. Warranty : All sales and contracts for sale are expressly conditioned on the buyer's assent to Socla terms and conditions found on its website at [www.socla.com](http://www.socla.com). Socla hereby objects to any term, different from or additional to Socla terms, contained in any buyer communication in any form, unless agreed to in a writing signed by an officer of Socla.



A WATTS Brand

Socla sas

365 rue du Lieutenant Putier • 71530 Virey-Le-Grand • France

Tel. +33 03 85 97 42 00 • Fax +33 03 85 97 42 42

contact@wattswater.com • [www.socla.com](http://www.socla.com)

ISO 9001 version 2015 / ISO 18001